

VEHICLE TYPE

DAEWOO NOVUS

TRANSMISSION TYPE

Kozmaksan Daewoo Power Take OFFs designed for Isuzu trucks. Kozmaksan Daewoo PTOs has Single output model, Side Mounting type option and available for UNI&ISO mounting housing or suitable for flange connections.

Applications;

- Garbage Truck
- Crane Truck
- Dump Truck

Vehicle Type

DAEWOO

PNEUMATIC

SIDE MOUNTING

Transmission Type

DAEWOO.03.NOVUS

Product Code

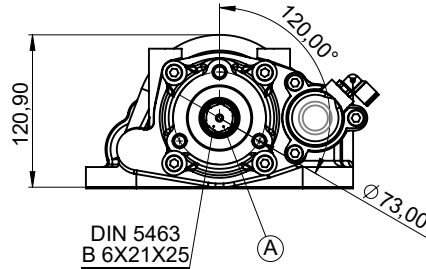
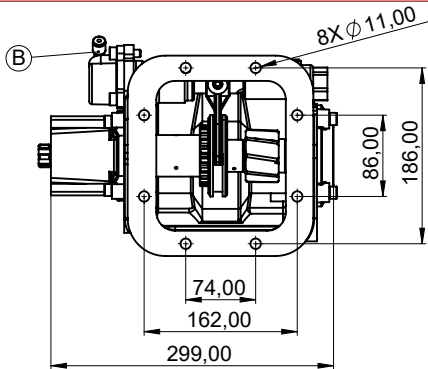
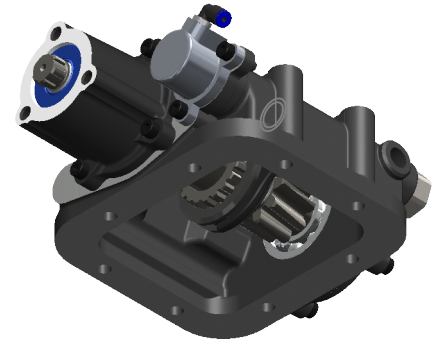
00

26.03.2019

2/3

Rev. Date

UNI OUTPUT

DIN 5463
B 6X21X25

A DIN 5463 6X21X25 UNI 3 Bolts Output

B Air Inlet R 1/4"

	UNI Output		
Power(kW)@1000 RPM			
Max. Torque (Nm)			
Weight (Kg)	14,35		
Ratio		1/1	
Mounting Type	Left Side Mounting		
Sense of Rotation			

- Kozmaksan has all rights to change information in this catalogue without announcing it. This document is representing general information. It is not a contract.
- All information belongs to only PTO/Split Shaft. Do not use PTO/Split Shaft, if it is not suitable for your engine and main transmission.
- Pumps, shafts and other parts should not be longer or heavier than approved distance and weight by the manufacturer of main transmission and engine.

KozmaksanPTO

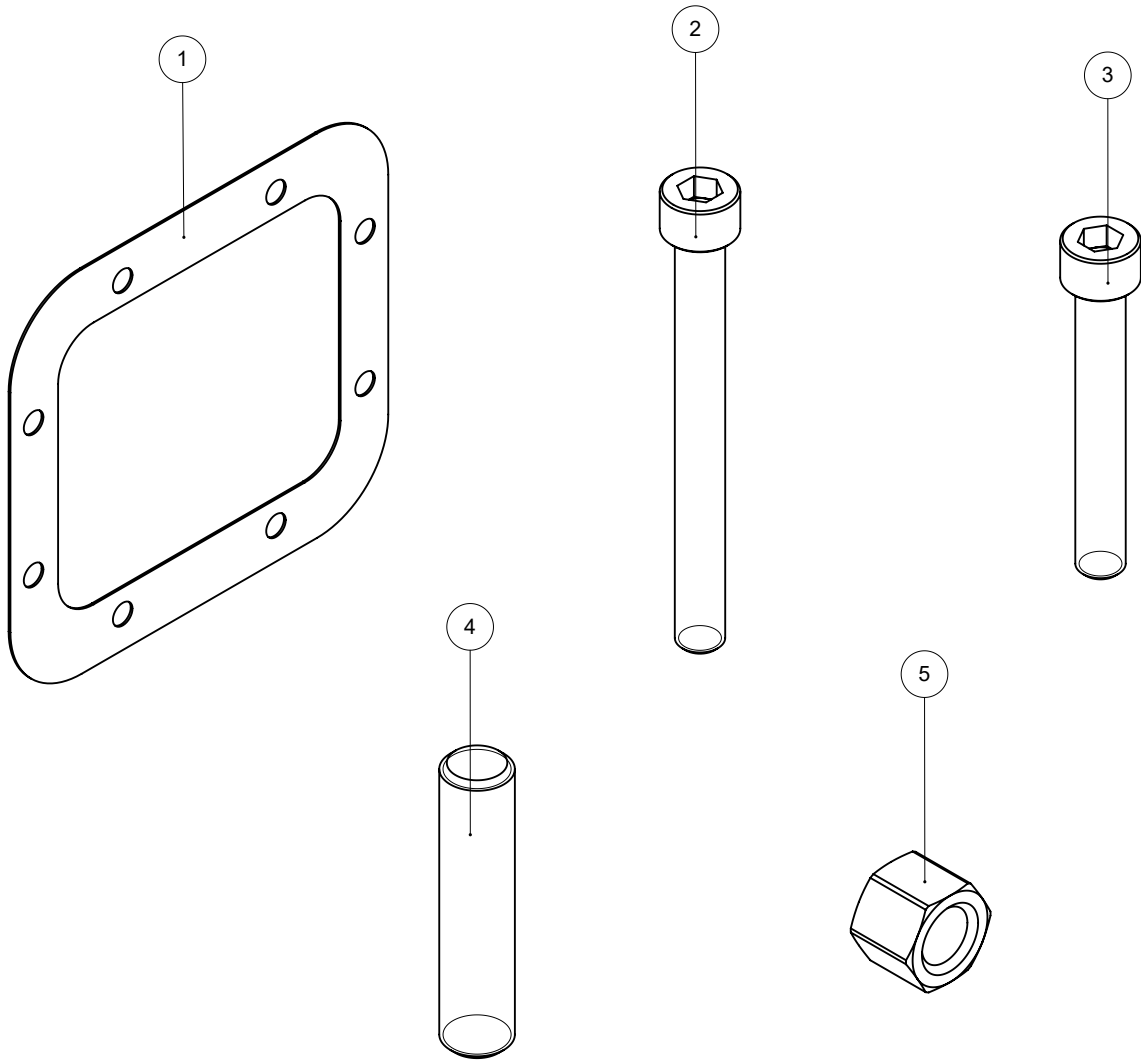


kozmaksanpto



kozmaksan-hydraulics-pt0





No	Code	Description			
1	T04-138	GASKET 1mm			
2	T06-076	M10X130 Bolt 4 pcs			
3	T06-099	M10X100 Bolt 2 pcs			
4	T07-004	M10X45 Stud 5 pcs			
5	T08-001	M10 Nut 5 pcs			

- Kozmaksan has all rights to change information in this catalogue without announcing it. This document is representing general information. It is not a contract.
 - All information belongs to only PTO/Split Shaft. Do not use PTO/Split Shaft, if it is not suitable for your engine and main transmission.
 - Pumps, shafts and other parts should not be longer or heavier than approved distance and weight by the manufacturer of main transmission and engine.

KozmaksanPTO



kozmaksanpto



kozmaksan-hydraulics-pto

